

- ✓ Compact design
- ✓ Stainless steel
- ✓ Maintenance free

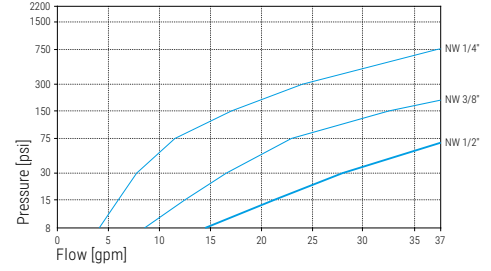
Application

Ceiling booms, high pressure hose reels, high pressure cleaners

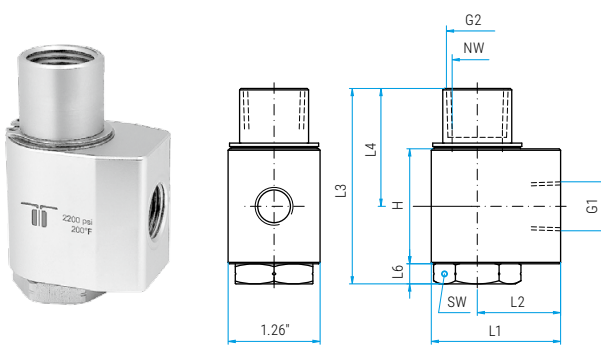
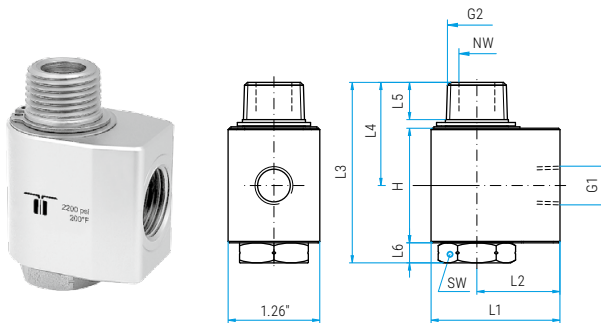
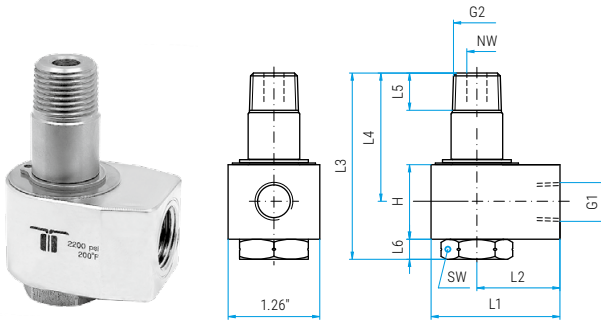
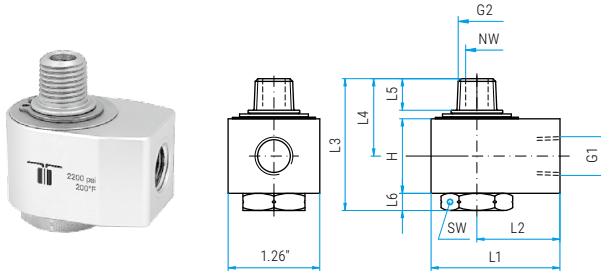
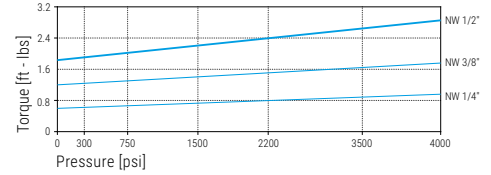
TECHNICAL DATA

Pressure	2200 psi (15 MPa) 4000 psi* (27.5 MPa)
Temperature	200°F / 250°F*
RPM	max. 30 rpm
Body	brass, nickel plated
Inner part	stainless steel
Seal	O-ring NBR / Support ring (optional: EPDM or FKM)
Bearing	sliding bearing
Throughput medium	pH 3 - 12 filtered 10 microns compressed air (290 psi)

Flow



Torque



WDG

Part No.	G1 (F)	G2 (M)	NW	H	L1	L2	L3	L4	L5	L6	SW	Weight
40.009*	G1/4" F	G1/4" M	1/4"	1.02	1.77	1.14	1.73	0.96	0.33	0.25	0.87	9.8 oz
40.019*	3/8" NPTF	G1/4" M	1/4"	1.02	1.77	1.14	1.73	0.96	0.43	0.25	0.87	9.7 oz
40.021	1/4" NPTF	1/4" NPTM	1/4"	1.02	1.77	1.14	1.89	1.14	0.47	0.24	0.87	10.3 oz
40.022	1/4" NPTF	3/8" NPTM	1/4"	1.02	1.77	1.14	1.89	1.14	0.47	0.24	0.87	10.3 oz
40.031	3/8" NPTF	1/4" NPTM	1/4"	1.02	1.77	1.14	1.89	1.14	0.47	0.24	0.87	9.6 oz
40.032	3/8" NPTF	3/8" NPTM	1/4"	1.02	1.77	1.14	1.89	1.14	0.47	0.24	0.87	10.0 oz

* 4000 psi / 250°F / without snap ring, for Mosmatic ceiling boom

Part No.	G1 (F)	G2 (M)	NW	H	L1	L2	L3	L4	L5	L6	SW	Weight
40.028	1/4" NPTF	1/4" NPTM	1/4"	1.02	1.77	1.14	2.56	1.77	0.47	0.27	0.87	10.0 oz
40.029	1/4" NPTF	3/8" NPTM	1/4"	1.02	1.77	1.14	2.56	1.77	0.51	0.27	0.87	11.7 oz
40.039	3/8" NPTF	3/8" NPTM	1/4"	1.26	1.77	1.14	2.09	1.18	0.43	0.28	0.94	11.4 oz

Part No.	G1 (F)	G2 (M)	NW	H	L1	L2	L3	L4	L5	L6	SW	Weight
40.231	1/2" NPTF	1/2" NPTM	1/2"	1.57	1.77	1.14	2.48	1.42	0.43	0.28	0.94	13.5 oz

Part No.	G1 (F)	G2 (F)	NW	H	L1	L2	L3	L4	L6	SW	Weight
40.223	3/8" NPTF	1/2" NPTF	1/2"	1.57	1.77	1.14	2.75	1.89	0.28	1.06	14.1 oz

40.502	Seal kit for NW 1/4"										
40.503	Seal kit for NW 3/8" + 1/2"										

Legend

M.. = metric thrust, ..M = male, F = female, G = gas pipe thrust, QV = quick connects, SV = profile ring fitting
D = diameter, k = conical, L = length, NW = nominal width, SW = wrench size

Additional Seal Options available

EPDM (E) or FKM/Viton (V). Please indicate letter of seal material after part number.
Minimum orders apply.